

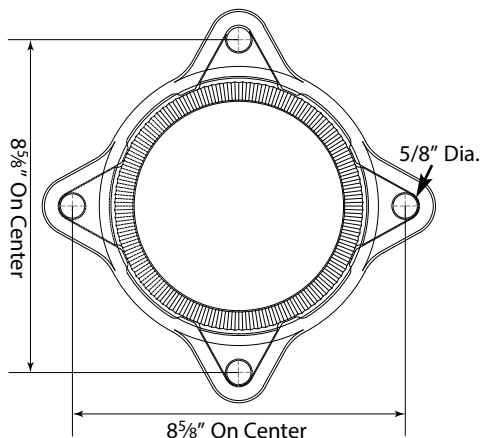
PALMGREN®

5.5", 6.5" & 8.5" BENCH VISE

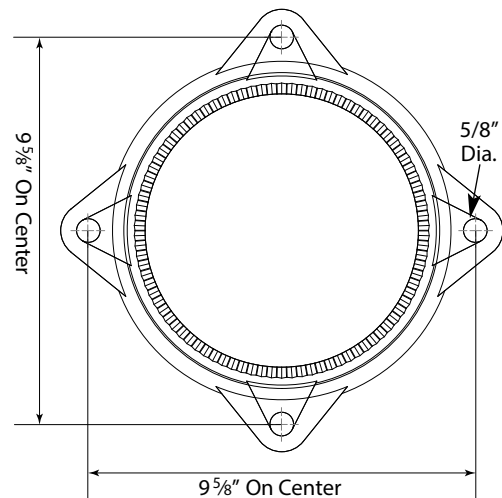


SPECIFICATIONS

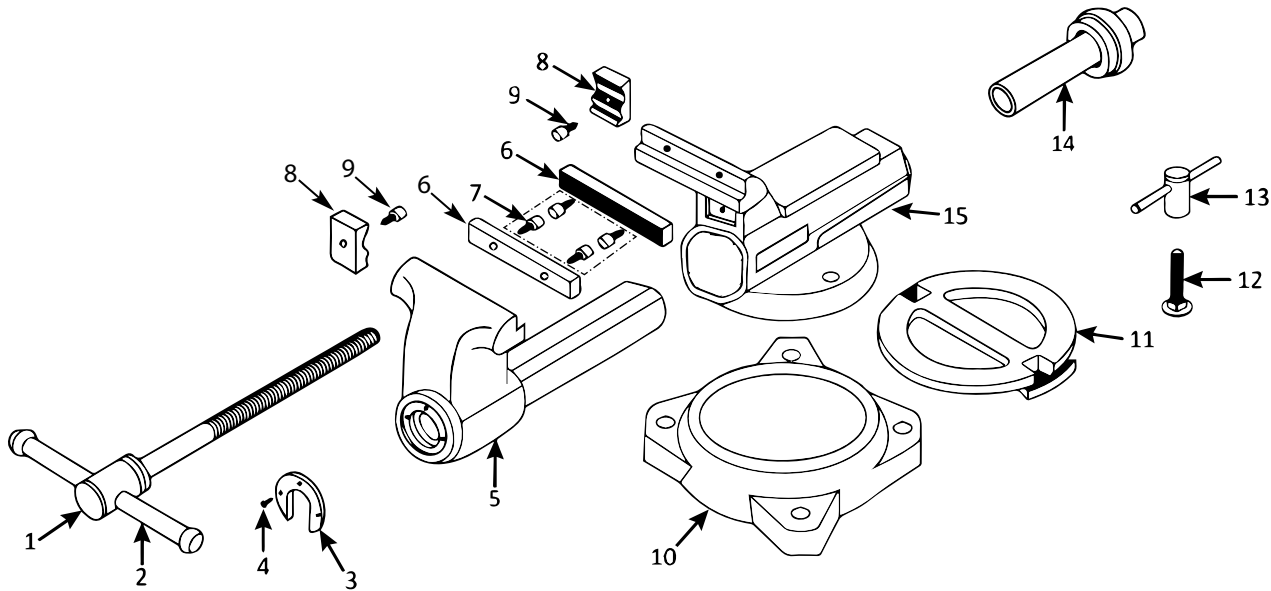
Model	9629755	9629756	9629758
Total Length	14.75"	18"	21"
Total Width	7.50"	10"	12"
Total Height	8.25"	9.4"	10.6"
Jaw Opening	6.5"	8.5"	9"
Clamping Force	62500 psi	65500 psi	74000 psi
Anvil Table Size	3.46" x 4.33"	3.5" x .75"	3.625" x 7"
Weight	55 lbs	73 lbs	102 lbs



Base for 9629755 & 9629756.



Base for 9629758.



REPLACEMENT PARTS LIST FOR 9629755, 9629756 & 9629758

Ref. No.	Description	Part No. for 9629755	Part No. for 9629756	Part No. for 9629758	Qty.
1	Lead Screw	964849001	964644201	964645201	1
2	Handle	964849101	964644301	964645301	1
3	Leadscrew Baffle , 2 11/16" OD	964849201	964644401	964645401	1
4	Baffle Screw, 5mm x 12mm	*	*	*	3
5	Front Jaw	964849301	964644501	964645501	1
6	Standard Jaw Plate, Set (Set includes ref. nos. 6 & 7)	964849401	964644601	964645601	1
7	Jaw Plate Screw , 8mm x 16mm	†	†	†	4
8	Pipe Jaw, Set (Set includes ref. nos. 8 & 9)	964039501	964640601	964641701	1
9	Pipe Jaw Screw, 8mm x 16mm	†	†	†	2
10	Swivel Base	964849601	964644801	964645801	1
11	Swivel Base Fixing Plate	964849701	964644901	964645901	1
12	Carriage Bolt , 1/2" x 2 3/4"	*	*	*	2
13	Swivel Lock	965085801	965085801	965085901	2
14	Casting Nut	964849801	964645001	964646001	1
15	Back Jaw	964849901	964645101	964646101	1
Δ	Optional Copper Jaw, Set	9629761	9629763	9629765	

(*) Standard hardware item, available locally. (Δ) Not shown. (†) Part is only available as part of set.

PALMGREN WARRANTY

C.H. Hanson / Palmgren warrants their products to be free of defects in material or workmanship. This warranty does not cover defects due directly or indirectly to misuse, abuse, normal wear and tear, failure to properly maintain the product, heated, ground or otherwise altered, or used for a purpose other than that for which it was intended.

The warranty does not cover expendable and/or wear part (i.e. v-belts, screws, abrasives, jaws), damage to tools arising from alteration, abuse or use other than their intended purpose, packing and freight. The duration of this warranty is expressly limited to the terms noted below beginning from the date of delivery to the original user.

The Palmgren branded items carry the following warranties on parts:

All arbor presses, vises, clamps, positioning tables, tombstones, jack screws and vise accessories - LIFETIME.

The obligation of C.H. Hanson / Palmgren is limited solely to the repair or replacement, at our option, at its factory or authorized repair agent of any part that should prove inoperable. Purchaser must lubricate and maintain the product under normal operating conditions at all times. Prior to operation become familiar with product and the included materials, i.e. warnings, cautions and manuals.

Failure to follow these instructions will void the warranty.

This warranty is the purchaser's exclusive remedy against C.H. Hanson for any inoperable parts in its product. Under no circumstances is C.H. Hanson liable for any direct, indirect, incidental, special or consequential damages including loss of profits in any way related to the use or inability to use our products. This warranty gives you specific legal rights which may vary from state to state.



Palmgren - a C.H. Hanson Company
2000 N. Aurora Rd., Naperville, IL 60563 U.S.A.
 or call 1-800-827-3398