

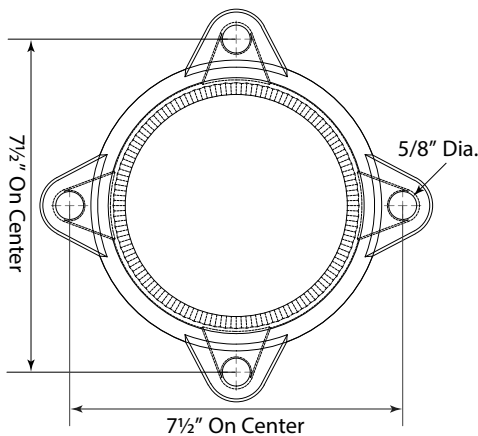
PALMGREN®

4", 5", 6" & 8" BENCH VISE

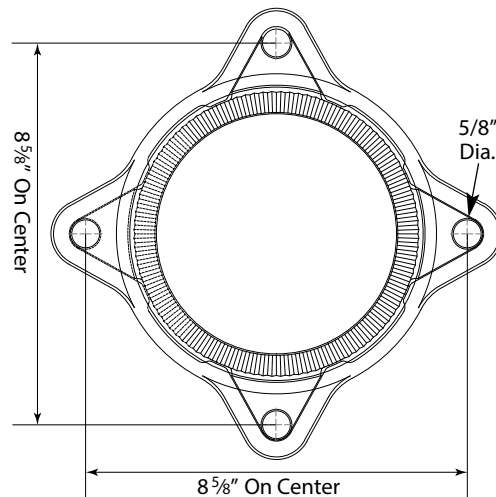


SPECIFICATIONS

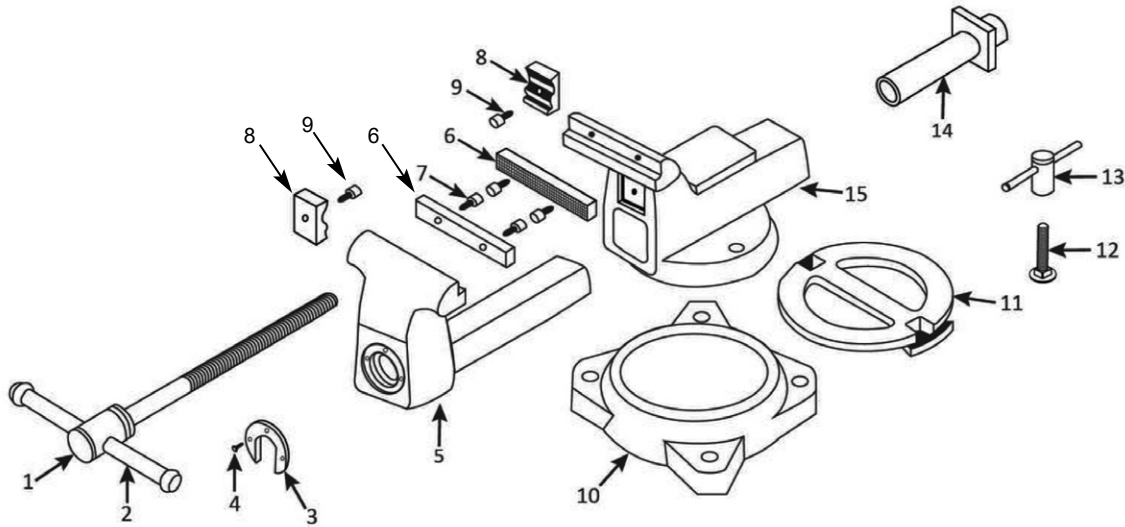
Model	9629744	9629745	9629746	9629748
Jaw Width	4"	5"	6"	8"
Jaw Opening	5"	6"	7"	8.25"
Throat Depth	3.5"	3.5"	3.75"	4.75"
Pipe Jaw Capacity	0.25" - 2"	0.25" - 2.5"	0.25" - 2.9"	0.25" - 3.5"



Swivel base for 9629744, 9629745 & 9629746.



Swivel base for 9629748.



REPLACEMENT PARTS LIST FOR 9629744, 9629745, 9629746 & 9629748

Ref. No.	Description	Part No. for 9629744	Part No. for 9629745	Part No. for 9629746	Part No. for 9629748	Qty.
1	Lead Screw	965201101	964639001	964640101	964641201	1
2	Handle	965201201	964639101	964640201	964641301	1
3	Leadscrew Baffle	965201301	964639201	964640301	964641401	1
4	Leadscrew Baffle Screw, M5 x 12	*	*	*	*	3
5	Front Jaw	965201401	964639301	964640401	964641501	1
6	Standard Jaw Plate, Set (Set includes ref. nos. 6 & 7)	965079001	964639401	964640501	964641601	2
7	Jaw Plate Screw, M6 x 12	†	†	†	-	4
7	Jaw Plate Screw, M8 x 16	-	-	-	†	4
8	Pipe Jaw, Set (Set includes ref. nos. 8 & 9)	965079101	964639501	964640601	964641701	2
9	Pipe Jaw Screw, M6 x 16	†	†	†	-	2
9	Pipe Jaw Screw, M8 x 16	-	-	-	†	2
10	Swivel Base	965201501	964639601	964640701	964641801	1
11	Swivel Base Fixing Plate	965201601	964639701	964640801	964641901	1
12	Carriage Bolt	965201701	964639801	964640901	964642001	2
13	Carriage Bolt Nut	965201801	965019701	965019801	965019901	2
14	Casting Nut	965201901	964639901	964641001	964642101	1
15	Back Jaw	965202001	964640001	964641101	964642201	1
Δ	Optional Copper Jaw, Set	9629759	9929760	9629762	9629764	

(*) Standard hardware item, available locally. (Δ) Not shown. (†) Part is only available as part of set.

PALMGREN WARRANTY

C.H. Hanson / Palmgren warrants their products to be free of defects in material or workmanship. This warranty does not cover defects due directly or indirectly to misuse, abuse, normal wear and tear, failure to properly maintain the product, heated, ground or otherwise altered, or used for a purpose other than that for which it was intended.

The warranty does not cover expendable and/or wear part (i.e. v-belts, screws, abrasives, jaws), damage to tools arising from alteration, abuse or use other than their intended purpose, packing and freight. The duration of this warranty is expressly limited to the terms noted below beginning from the date of delivery to the original user.

The Palmgren branded items carry the following warranties on parts:

All arbor presses, vises, clamps, positioning tables, tombstones, jack screws and vise accessories - LIFETIME.

The obligation of C.H. Hanson / Palmgren is limited solely to the repair or replacement, at our option, at its factory or authorized repair agent of any part that should prove inoperable. Purchaser must lubricate and maintain the product under normal operating conditions at all times. Prior to operation become familiar with product and the included materials, i.e. warnings, cautions and manuals.

Failure to follow these instructions will void the warranty.

This warranty is the purchaser's exclusive remedy against C.H. Hanson for any inoperable parts in its product. Under no circumstances is C.H. Hanson liable for any direct, indirect, incidental, special or consequential damages including loss of profits in any way related to the use or inability to use our products. This warranty gives you specific legal rights which may vary from state to state.



Palmgren - a C.H. Hanson Company
2000 N. Aurora Rd., Naperville, IL 60563 U.S.A.
 or call 1-800-827-3398